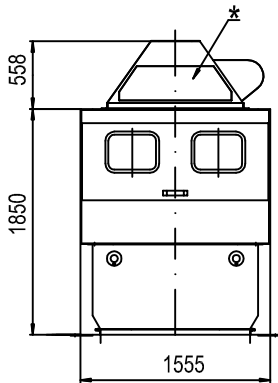


Kompostausleser Typ "KA"

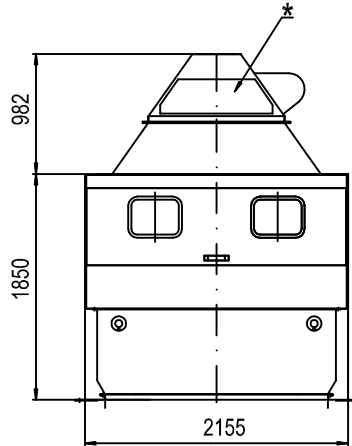
Compost separator type "KA"

KA 6



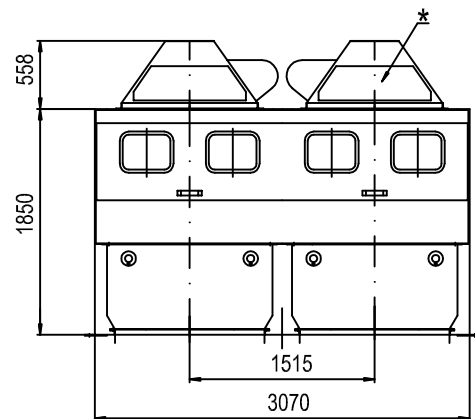
* Pendelverteiler (Option)

KA 9



* Distributing box (Option)

KA 12

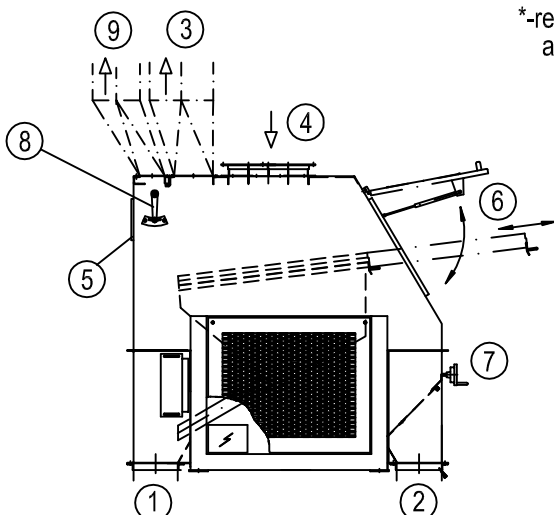


| Typ | Leistung m3/h * | Antrieb Kw | Ventilator | | Abluft m3/h | Maschinengewicht kg unverb. |
|---------|--------------------|---------------|------------|--------|----------------|--------------------------------|
| | | | Kw | m3/h | | |
| KA6-H | 18 | 1.5 | 2x4 | 2x6655 | 14000 | 1600 |
| KA6-HF | 18 | 1.5 | 2x4 | 2x6655 | 22000 | 1650 |
| KA9-H | 27 | 1.5 | 2x5.5 | 2x8925 | 21000 | 1700 |
| KA9-HF | 27 | 1.5 | 2x5.5 | 2x8925 | 33000 | 1775 |
| KA12-H | 36 | 1.5 | 4x4 | 4x6655 | 28000 | 3000 |
| KA12-HF | 36 | 1.5 | 4x4 | 4x6655 | 44000 | 3100 |

*-Bezogen auf eine Produktfeuchte
von 35% und eine Korngrösse 15mm

| type | capacity m3/h * | drive kW | fan | | exhaust air m3/h | machine weight kg unpacked |
|---------|--------------------|-------------|-------|--------|---------------------|-------------------------------|
| | | | kW | m3/h | | |
| KA6-H | 18 | 1.5 | 2x4 | 2x6655 | 14000 | 1600 |
| KA6-HF | 18 | 1.5 | 2x4 | 2x6655 | 22000 | 1650 |
| KA9-H | 27 | 1.5 | 2x5.5 | 2x8925 | 21000 | 1700 |
| KA9-HF | 27 | 1.5 | 2x5.5 | 2x8925 | 33000 | 1775 |
| KA12-H | 36 | 1.5 | 4x4 | 4x6655 | 28000 | 3000 |
| KA12-HF | 36 | 1.5 | 4x4 | 4x6655 | 44000 | 3100 |

*-related to a product humidity of 35%
and a granulation of 15mm



- | | |
|---|---|
| 1 Leichtteilauslauf | 1 Outlet for light particles |
| 2 Schwerteilauslauf | 2 Outlet for heavy particles |
| 3 Abluft | 3 Exhaust air |
| 4 Einlauf | 4 Inlet |
| 5 Sichtfenster | 5 Window |
| 6 Servicetür | 6 Service door |
| 7 Luftverstellung (Option: mit Frequenzumformer) | 7 Air regulator (Option: with frequency converter) |
| 8 Verstellung Folienabsaugung (Option) | 8 Regulator for foil suction (Option) |
| 9 Abluft für Foilen (Option) | 9 Exhaust air for foils (Option) |

- Änderungen vorbehalten -
- subject to alterations -